



Advanced Card Systems Ltd.
Card & Reader Technologies

ACR1255U-J1

Secure Bluetooth®

NFC Reader



Technical Specifications V1.10



Table of Contents

1.0.	Introduction	3
1.1.	Smart Card Reader.....	3
1.2.	Compact Design	3
1.3.	Firmware Upgradeable Feature.....	3
1.4.	Secure Bluetooth Connectivity.....	3
1.5.	Ease of Integration.....	3
2.0.	Features	4
3.0.	Typical Applications.....	5
4.0.	Technical Specifications.....	6



1.0. Introduction

ACR1255U-J1 Secure Bluetooth® NFC Reader combines the latest 13.56 MHz contactless technology with Bluetooth® connectivity for on-the-go smart card and NFC applications.

1.1. Smart Card Reader

ACR1255U-J1 supports ISO 14443 Type A and B smart cards, MIFARE®, FeliCa, and most NFC tags and devices compliant with ISO 18092 standard. This makes it the ideal device for a broad range of solutions, such as hands-free verification for physical and logical access control, and inventory tracking. ACR1255U-J1 has both Bluetooth 4.0 interface for pairing with mobile devices and USB Full Speed for PC-linked operation. Additionally, it can read/write at the speed of up to 424 Kbps for contactless smart card and NFC device access.



1.2. Compact Design

With a compact design and a rechargeable Lithium-ion battery for power, ACR1255U-J1 is extremely portable and convenient for use anytime, anywhere with most Bluetooth-enabled smartphones and tablets in the market.

1.3. Firmware Upgradeable Feature

To save valuable cost and time, the firmware of ACR1255U-J1 could conveniently be upgraded in-field to let users cope with the fast-changing technology for their applications to suit different scenarios.

1.4. Secure Bluetooth® Connectivity

With Bluetooth technology and AES-128 encryption (CBC ciphering mode), ACR1255U-J1 can connect securely and wirelessly with ease to any device running on Android™ version 4.3 and later, iOS 5.0 and later, Windows® 7 and later, and Mac OS® 10.7 and later.

1.5. Ease of Integration

ACR1255U-J1 can easily be installed for use with any personal computer running on Windows® operating system because it is PC/SC and CCID-compliant. Its drivers are also compatible with Linux® and Mac OS®.

With its numerous features, the ACR1255U-J1 is the perfect reader for your smart card solution.



2.0. Features

- USB Full Speed Interface
- Bluetooth Interface
- Plug and Play – CCID support brings utmost mobility
- Smart Card Reader:
 - Contactless Interface:
 - Read/Write speed of up to 424 Kbps
 - Built-in antenna for contactless tag access, with reading distance of up to 50 mm (depending on tag type)
 - Supports ISO 14443 Part 4 Type A and B cards, MIFARE, FeliCa, and all 4 types of NFC (ISO/IEC 18092) tags
 - Built-in anti-collision feature (only one tag is accessed at any time)
 - Supports AES-128 encryption algorithm (CBC ciphering mode)
 - NFC Mode Supported:
 - Card reader/writer mode
- Application Programming Interface:
 - Supports PC/SC
 - Supports CT-API (through wrapper on top of PC/SC)
- Built-in Peripherals:
 - Two user-controllable bi-color LEDs
 - User-controllable buzzer
- USB Firmware Upgradeability¹
- Supports Android™ 4.3 and later²
- Supports iOS 8.0 and later³
- Compliant with the following standards:
 - EN 60950/IEC 60950
 - ISO 14443
 - ISO 18092
 - Bluetooth
 - PC/SC
 - CCID
 - CE
 - FCC
 - RoHS 2
 - REACH
 - VCCI (Japan)
 - TELEC (Japan)
 - Microsoft® WHQL

¹ Applicable under PC-linked mode

² Uses an ACS-defined Android Library

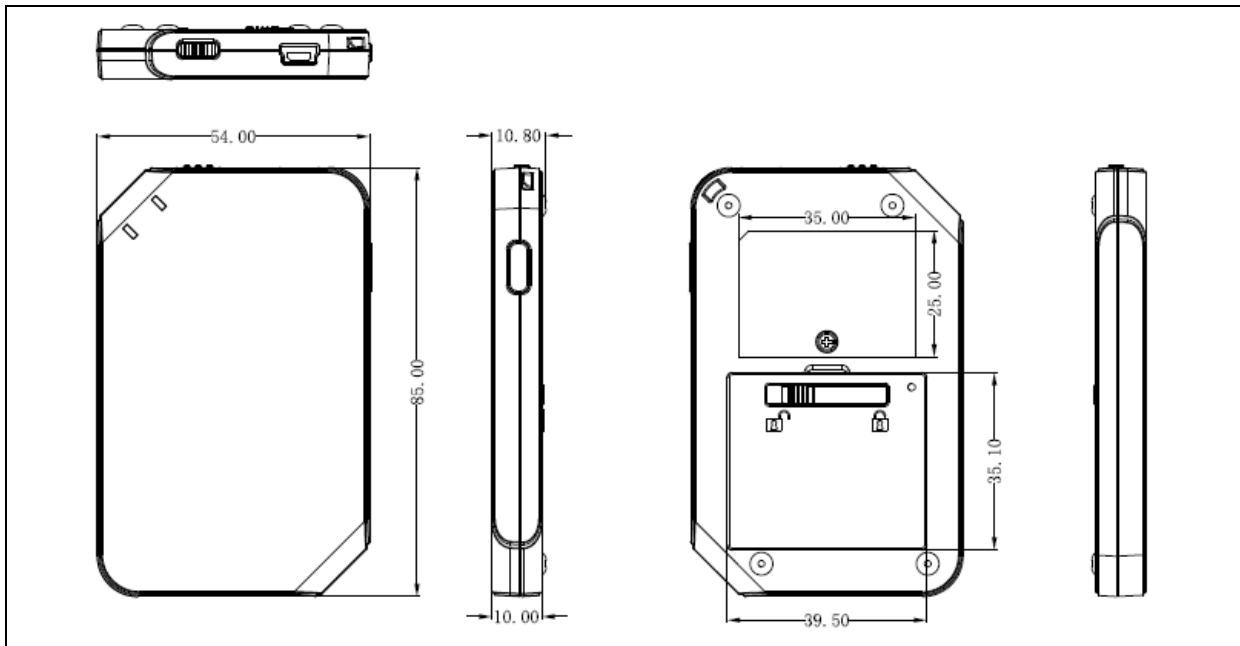
³ Uses an ACS-defined iOS Library



3.0. Typical Applications

- e-Government
- e-Healthcare
- e-Purse and Loyalty
- Mobile Banking and Payment
- Network Security
- Access Control
- Public Key Infrastructure

4.0. Technical Specifications



Physical Characteristics

Dimensions	85 mm (L) × 54 mm (W) × 10 mm (H)
Weight	37.5 g (74.1 g with cable ± 5 g tolerance)
Color	White

Bluetooth Interface

Protocol	Bluetooth (Bluetooth Low Energy/Bluetooth 4.0)
Power Source	Rechargeable Lithium-ion Battery (charging through USB)
Speed	1 Mbps

USB Host Interface

Protocol	USB CCID
Connector Type	USB Mini-B
Power Source	From USB port
Speed	USB Full Speed (12 Mbps)
Supply Voltage	5 V
Supply Current	Max. 500 mA
Cable Length	1 m, Detachable

Contactless Smart Card Interface

Standard	ISO/IEC 18092 NFC, ISO 14443 Type A & B, MIFARE, FeliCa
Protocol	ISO 14443 T=CL for ISO 14443-4-compliant cards
.....	T=CL Emulation for MIFARE Classic, ISO 18092, FeliCa and NFC tags
Operating Frequency	13.56 MHz
Operating Distance	Up to 50 mm (depending on tag type)
Smart Card Read/Write Speed	106 Kbps, 212 Kbps, 424 Kbps
Antenna Size	45.60 mm × 42.00 mm

Built-in Peripherals

LED	2 bi-color: Red and Blue, Red and Green
Buzzer	Monotone

Other Features

Encryption	In-device AES-128 Encryption Algorithm (CBC Ciphering Mode)
Firmware Upgrade	Supported (upgradeable through USB Interface)

Application Programming Interface

PC-linked Mode	PC/SC
.....	CT-API (through wrapper on top of PC/SC)

Operating Conditions

Temperature	0 °C – 60 °C ⁴
Humidity	Max. 85% (non-condensing)
MTBF	400,000 hrs

⁴Recommended Charging Temperature: 0 °C – 45 °C



Certifications/Compliance

EN 60950/IEC 60950, ISO 14443, ISO 18092, USB Full Speed, Bluetooth, PC/SC, CCID, CE, FCC
RoHS 2, REACH
VCCI (Japan), TELEC (Japan), Microsoft® WHQL

Device Driver Operating System Support

Windows® XP, Windows Vista®, Windows® 7, Windows® 8, Windows® 8.1, Windows® 10
Windows® Server 2003, Windows® Server 2008, Windows® Server 2008 R2, Windows® Server 2012,
Windows® Server 2012 R2, Windows® Server 2016
Linux®, Mac OS®, Android™⁵, iOS⁶



Android is a trademark of Google LLC.

The *Bluetooth*® word, mark and logos are registered trademarks owned by Bluetooth SIG, Inc. and any use of such marks by Advanced Card Systems Ltd. is under license. Other trademarks and trade names are those of their respective owners.

Linux® is the registered trademark of Linus Torvalds in the U.S. and other countries.

Mac OS is a trademark of Apple Inc., registered in the U.S. and other countries.

Microsoft, Windows, and Windows Vista are either trademarks or registered trademarks of Microsoft Corporation in the United States and/or other countries.

MIFARE and MIFARE Classic are registered trademarks of NXP B.V. and are used under license.

⁵ 4.3 or later Android version is required for Bluetooth 4.0

⁶ 8.0 and later iOS version is required